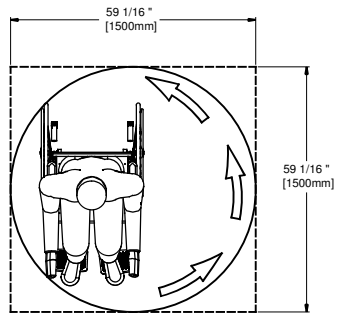
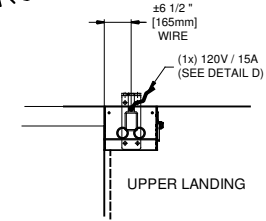


A TOP VIEW

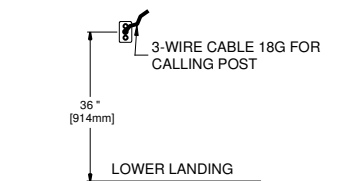


E DETAIL TURNING CLEARANCE

FOR REFERENCE ONLY
DO NOT USE FOR CONSTRUCTION



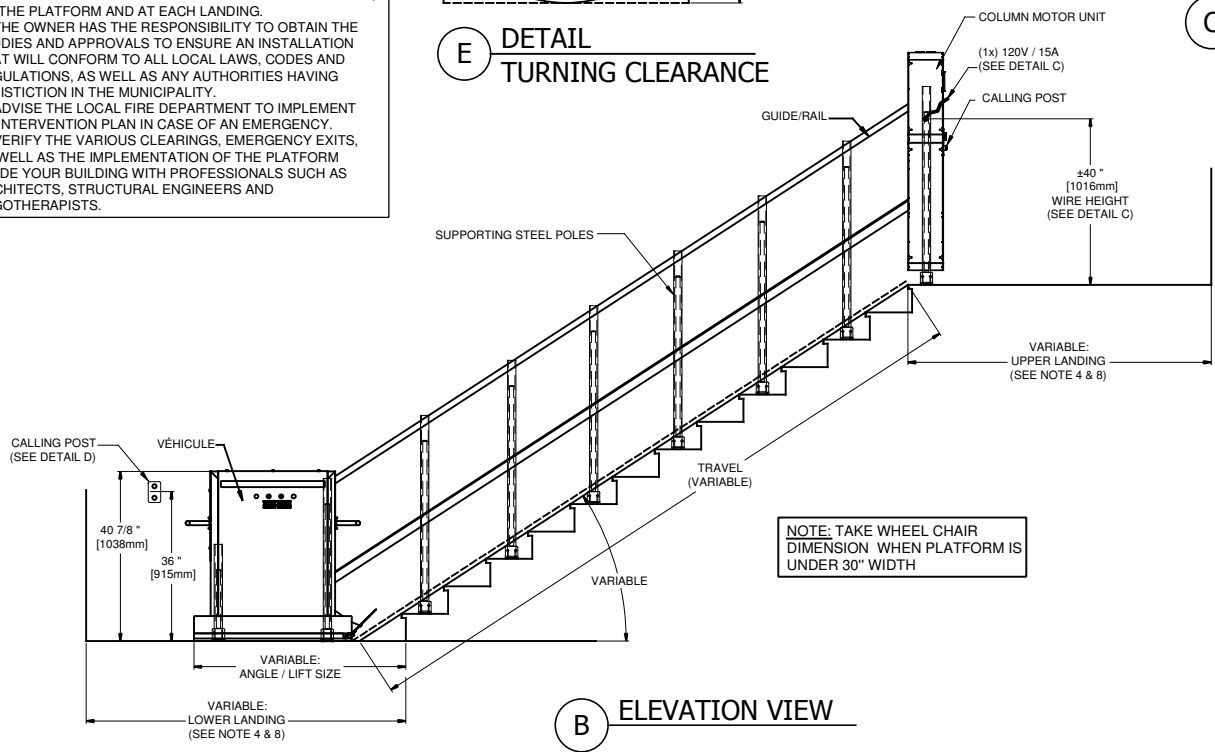
C ELECTRICAL DETAIL UPPER LANDING



D ELECTRICAL DETAIL LOWER LANDING

NOTE

1. THIS DRAWING COVERS THE INSTALLATION OF THE PLATFORM IN THE STAIRWAY.
2. ANCHOR THE RAIL GUIDES INTO EACH SUPPORTING STEEL POLES AND FIXED EACH POLES ON CONCRETE STEPS.
3. APPLY SECTION 38 OF THE CANADIAN ELECTRICAL CODE.
4. PROVIDE A 60" FREE PIVOTING AREA AT EACH LANDING
5. PROVIDE AT LEAST 100 lx OF LIGHTING IN THE STAIRWAY, ON THE PLATFORM AND AT EACH LANDING.
6. THE OWNER HAS THE RESPONSIBILITY TO OBTAIN THE STUDIES AND APPROVALS TO ENSURE AN INSTALLATION THAT WILL CONFORM TO ALL LOCAL LAWS, CODES AND REGULATIONS, AS WELL AS ANY AUTHORITIES HAVING JURISDICTION IN THE MUNICIPALITY.
7. ADVISE THE LOCAL FIRE DEPARTMENT TO IMPLEMENT AN INTERVENTION PLAN IN CASE OF AN EMERGENCY.
8. VERIFY THE VARIOUS CLEARINGS, EMERGENCY EXITS, AS WELL AS THE IMPLEMENTATION OF THE PLATFORM INSIDE YOUR BUILDING WITH PROFESSIONALS SUCH AS ARCHITECTS, STRUCTURAL ENGINEERS AND ERGOTHERAPISTS.



B ELEVATION VIEW

NOTE: TAKE WHEEL CHAIR DIMENSION WHEN PLATFORM IS UNDER 30" WIDTH

PLATE-FORME AC-105-CH FICHE TECHNIQUE	
CODE	B-355-09 & B-613-00
CAPACITÉ MAX.	UNE PERSONNE EN FAUTEUIL ROULANT
CHARGE MAX.	500 lb (227kg)
ENTRAÎNEMENT	PIGNON ET CHAÎNE
CÂBLE D'ENTRAÎNEMENT	CHAÎNE À ROULEAUX #50 ANSI/ASME B29.100
VITESSE	19 pi/min(0.10m/s)
ALIMENTATION ÉLECTRIQUE	120VAC 20A (bloc d'alimentation) ou 120VAC 15A (moteur fonctionne sur batteries)
SURFACE NETTE	VARIABLE
MANOEUVRE	Boutons à pression maintenue
CONTROLEUR	Bectrol BEC03 (PUISSANCE : BEC04)
ANGLE D'INCLINAISON	VARIABLE
BRAS DE SÉCURITÉ	À DÉPLOIEMENT MANUEL OU MOTORISÉ
DÉPLOIEMENT DU PLANCHER	MANUEL OU MOTORISÉ
FINI DU PLANCHER	SURFACE ANTI-DÉRAPANTE
SECTIONNEUR	SQUARE D CH221/NEIK031EV
RÉACTION AU MUR	300 lb VERS L'EXTÉRIEUR MUR DE SOUTIEN
MOTEUR	24VDC 1HP

PROJECT: GENERAL INFORMATION

CONFIGURATION DETAILS

Code: **B-613 & B-355**

Lift cage: **42" HEIGHT**

Drafter: **M. Debusschere**

Date: **16/08/2016**

No: **AO-04**

Status: **INFORMATION**

No Sheet: **1/1**

Les Escalateurs Atlas Inc.
8255 Boul. Laframboise
St-Hyacinthe (Québec)
J2R 1E8, Canada
Tél: (450) 796-5708
Fax: (450) 796-5110

atlas

No Drawing: **AC-105-CH_90 R_TYP**
(WITH SUPPORTING POLES)

Revision: **2**