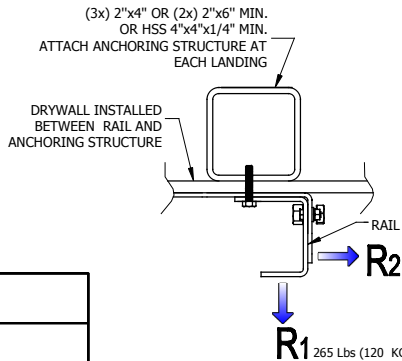


1 AR-130-T_C

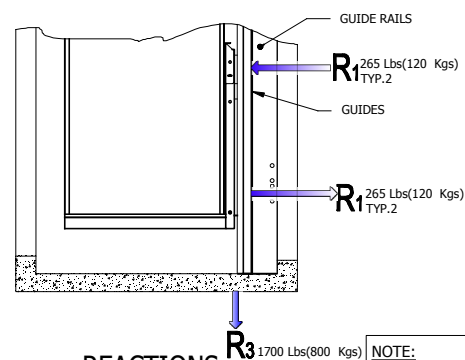
DOOR INSTALLATION:

- 1) THE CONSTRUCTION OF THE WALLS MUST BE DONE AFTER THE INSTALLATION OF THE LANDING DOORS.
- 2) LEAVE A 3/4" SPACE ON EACH SIDE OF THE DOOR TO ALLOW SIDWAY ADJUSTEMENT ON SITE



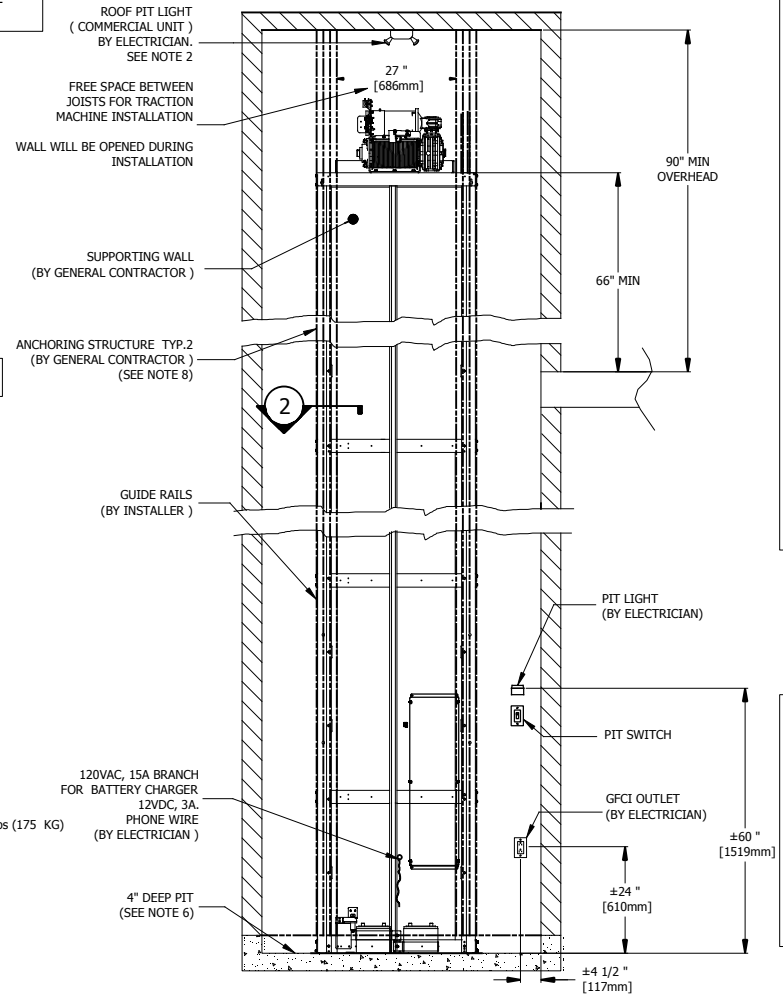
2 RAILS REACTIONS

PLATFORM AR-130-T TECHNICAL SHEET	
TYPE	VERTICAL, CLOSED SHAFT
CODE	CSA/B355-09
RAIL LINEAR WEIGHT	5 lb/ft
MAX CAPACITY	2 PERSONS AND 1 WHEELCHAIR
MAX LOAD	750 Lb (340 Kg)
TRACTION MACHINE	LIFTING CABLES AND WINDING DRUM
MOTOR	24 VDC, 1HP
VELOCITY	23 pi/min(0.12m/s)
MAX TRAVEL	(9150 mm) (7000mm/B355)
SAFETY GEAR	SAFETY BRAKE OPERATED BY THE ACTION OF AN OVERSPEED GOVERNOR
CAB FINISHES	SEE DOCUMENT C-01
CAB	MAX. 42x66po (1067 mm x 1676 mm)
FLOOR FINISH	ANTI SKID FINISH
COMMANDS	CONSTANT PRESSURE
CONTROLLER	CSA (B355 & B44.1)
DOOR INTERLOCK	HONEYWELL (REALIGN)
TRACTION CABLES	2X AIRCRAFT 7X19 Ø1/4" MILD T 83420 7000LBS CAP

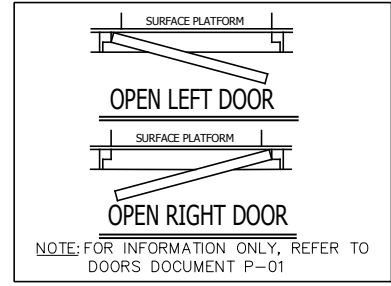


3 REACTIONS

NOTE: HOISTWAY DESIGN MUST FOLLOW A SAFETY FACTOR OF 5, SEE CAN/CSA-B355.



4 SUPPORTING WALL



NOTE

1. ELEVATOR PLATFORM MODEL: AR-130-T
2. INSTALL 1 PERMANENT CEILING FIXTURE WITH MIN 2 BULBS (100 LUX MIN). A BULB FAILURE SHOULD NOT PREVENT THE OTHER BULB FROM LIGHTING.
3. INSTALL 1 FIXTURE AT EACH FLOOR, OUTSIDE THE HOISTWAY WITH THE SWITCH INSTALLED AS CLOSE AS POSSIBLE TO THE LANDING DOOR.
4. ROUTE TO THE SUPPORTING WALL, A 120VAC 15A WIRE FROM MAIN DISCONNECT SWITCH AT 24" FROM PIT FLOOR.
5. ROUTE ONE CIRCUIT 120VAC, 15A FROM BREAKER PANNEL FOR PIT & SHAFT LIGHTING AND IF REQUIRED, THE GFCI TYPE OUTLET IN THE PIT. OUTLET BREAKER TRIP MUST NOT COMPROMISE LIGHTING.
6. AS REQUIRED BY LOCAL BUILDING CODE, FLOOR SUPPORT TO MEET BASE LOAD AND REACTIONS REQUIRED TO SUPPORT TOWER MOUNTING REACTIONS. SUPPORTING WALL MUST BE SMOOTH, WITHOUT RECESS OR PROJECTIONS.
7. BUILDING ENGINEER OR CONTRACTOR IS RESPONSIBLE TO MEET TOWER REACTIONS REQUIREMENTS. ALL WORK AND MATERIALS MUST CONFORM WITH AUTHORITIES HAVING JURISDICTION.
8. TRIPLE STUD HEIGHT SHOULD NOT EXCEED 12' UNLESS FIXED AT EACH 12'. STUDS CAN BE SUBSTITUTED WITH DOUBLE 2x6 STUDS, 4"x4"x1/4" HSS SQUARE TUBING, OR ANY OTHER SUITABLE MATERIAL APPROVED BY THE BUILDING'S STRUCTURAL ENGINEER.
9. CHECK WITH ARCHITECT IF AUTOMATIC DOOR OPENERS ARE REQUIRED ON LOCATION.

NOTE

- THIS ELECTRONIC DOCUMENT IS NOT SIGNED OR SEALED BY A PROFESSIONAL ENGINEER AND MAY NOT BE USED FOR CONSTRUCTION PURPOSES
- THIS ELECTRONIC DOCUMENT IS STRICTLY FOR INFORMATION PURPOSES (OR COORDINATION AS APPLICABLE)
- NO GUARANTEES ARE GIVEN ON THE INTEGRITY OF THE TRANSMITTED INFORMATION.
- NO GUARANTEES ARE GIVEN ABOUT PAST OR FUTURE CHANGES TO THIS DOCUMENT

Les Escalateurs Atlas Inc.

8255 Boul. Laframboise
St-Hyacinthe (Québec)
J2R 1E8, Canada
Tél: (450) 796-5708
Fax: (450) 796-5110

TITLE: **GENERAL INFORMATION**

No. DRAWING	AR-130-T	DATE:	12/02/2016	REVISION
CODE:	B-355	DRAFTER:	M. DEBUSSCHERE	No SHEET: 1/1