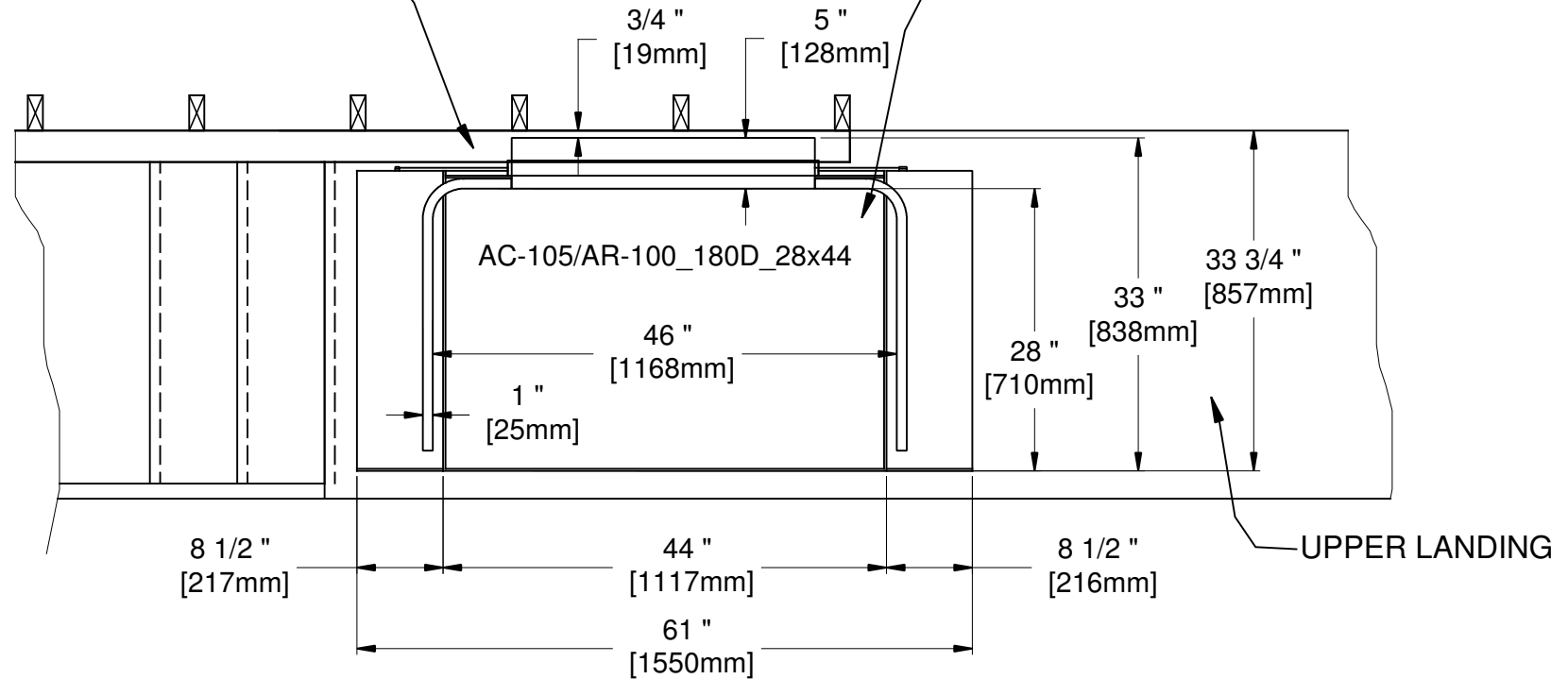


ANCHORING ESCALADER RAMP

PLATFORM




NOTE: TAKE WHEEL CHAIR DIMENSION WHEN PLATFORM IS UNDER 30" WIDTH

1 TOP VIEW
AC-105/AR-100

FOR REFERENCE ONLY
DO NOT USE FOR CONSTRUCTION

PROJECT: GENERAL INFORMATION

CONFIGURATION DETAILS		xx	xx	xx	xx-xx-2015
Code:	REV	BY	DESCRIPTION:	DATE:	
B-355 / B-613					
DOOR INTERLOCK TYPE: HONEYWELL	 Les Escalateurs Atlas Inc. 8255 Boul. Laframboise St-Hyacinthe (Québec) J2R 1E8, Canada Tél: (450) 796-5708 Fax: (450) 796-5110				
Lift cage: 42" HEIGHT					
Safety: ± 1/16"	No Drawing:				
Drafter: M. Debusschere	AC-105 /AR-100-28x44-D180				
Date: 27/11/2015	Status: INFORMATION	Revision:			No Sheet: