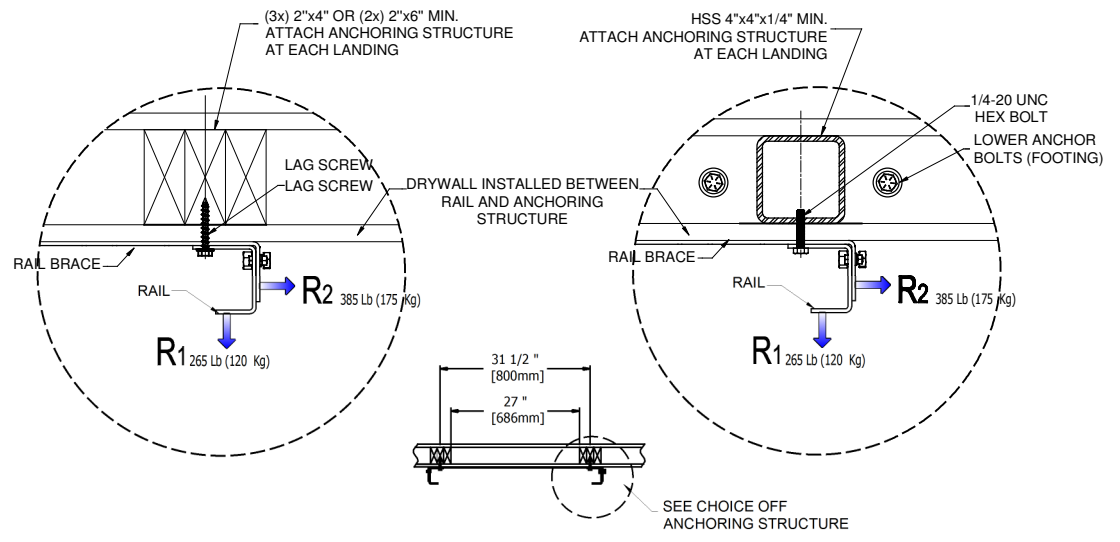
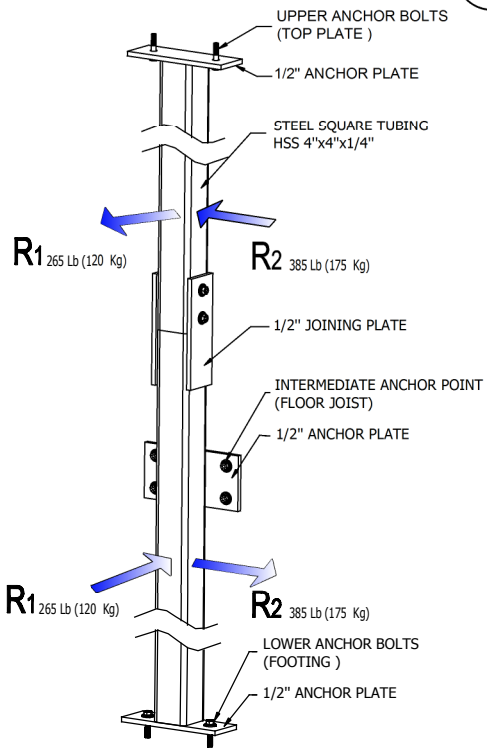


**1 ISOMETRIC VIEW
AR-130-T**



**2 TOP VIEW DETAIL
INSTALLATION**



**3 ELEVATION DETAIL
HSS ANCHORING**

**FOR REFERENCE ONLY
DO NOT USE FOR CONSTRUCTION**

NOTE:
 1: THIS DRAWING ILLUSTRATES A TYPICAL SUPPORTING WALL STRUCTURE INSTALLATION AND ILLUSTRATED DETAIL SHOULD BE CHANGED WITH MATERIAL CHOICE.
 2: THE CUSTOMER IS RESPONSIBLE TO HAVE THE LINK BETWEEN THE SUPPORTING WALL STRUCTURE AND THE BUILDING CALCULATED BY A STRUCTURAL ENGINEER.
 3: THE MAXIMUM DISTANCE BETWEEN ANCHOR POINTS IS 12' [3658mm].



Les Escalateurs Atlas Inc.
 3175 Boul. Choquette
 St-Hyacinthe (Québec)
 J2S 7Z8, Canada
 Tel: (450) 796-5708
 Fax: (450) 250-5110

Code:	B-355 / 613	Title:	AR-130-T ANCHORING STRUCTURE DETAILS	Révision: 2			
Safety:	± 1/16"						
Drafter:	M. Debusschere	No drawing:	F-04	Status:	INFORMATION	No Sheet:	1/1
Date:	03-06-2017						