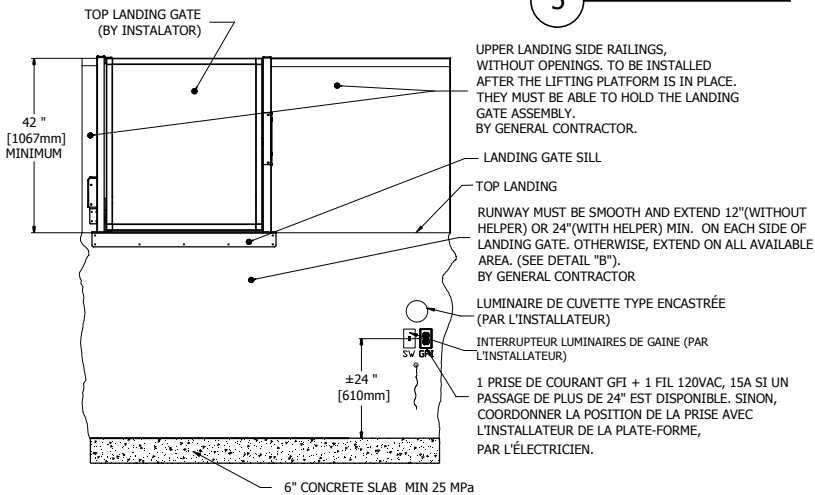


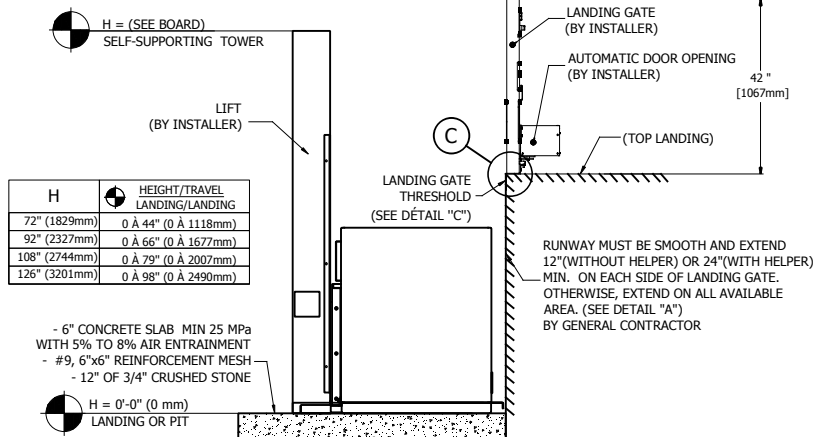
**1 VISTA-355-AB
36x54 (WITHOUT HELPER)**

NOTE
1. PROVIDE 100 lx MIN. LIGHTING TO THE WHOLE PLATFORM (BY ELECTRICIAN).
2. ANY WALL LOCATED LESS THAN 12" (WITHOUT HELPER) OR 24" (WITH HELPER) AWAY FROM THE CAB MUST EXCEED THE UPPER LANDING HEIGHT BY AT LEAST 42". IT MUST BE SMOOTH (NO RECESSES OR PROTRUSIONS).



2 DETAIL B

NOTE
LIFT NOT SHOWN FOR CLARITY PURPOSE OF THE DRAWING.

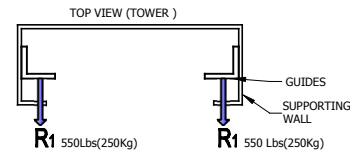


**3 DETAIL A
FLOOR ELEVATION**

| H | HEIGHT/TRAVEL | LANDING/LANDING |
|---------------|----------------------|-----------------|
| 72" (1829mm) | 0 À 44" (0 À 1118mm) | |
| 92" (2327mm) | 0 À 66" (0 À 1677mm) | |
| 108" (2744mm) | 0 À 79" (0 À 2007mm) | |
| 126" (3201mm) | 0 À 98" (0 À 2490mm) | |

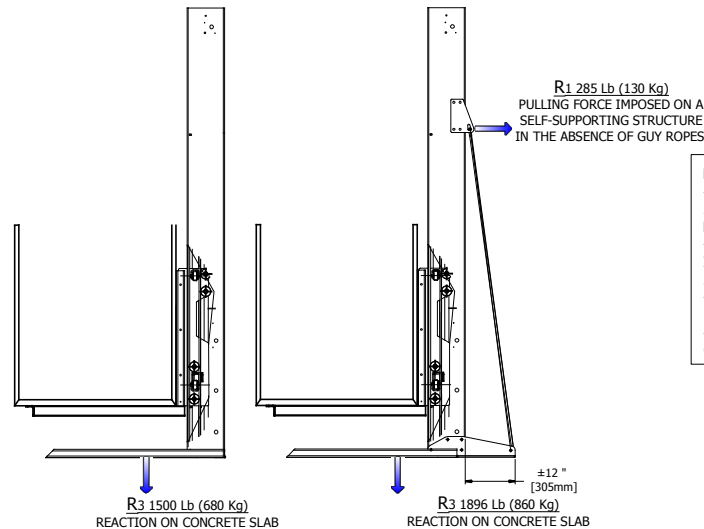
- 6" CONCRETE SLAB MIN 25 MPa
WITH 5% TO 8% AIR ENTRAINMENT
- #9, 6"x6" REINFORCEMENT MESH
- 12" OF 3/4" CRUSHED STONE

H = 0'-0" (0 mm)
LANDING OR PIT



4 DETAIL C

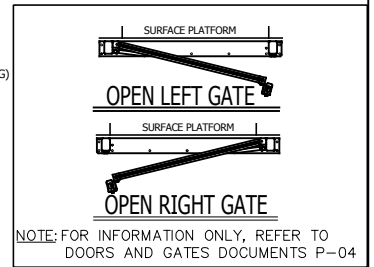
5 RAIL REACTIONS



**5 VISTA 750 Lb
REACTIONS**

**6 VISTA 1000 Lb
REACTIONS**

| VISTA_355 TECHNICAL DATA | |
|-----------------------------|--|
| TYPE | Outdoor use, vertical lift, open shaft |
| CODE | CSA/B355-09 |
| MAX CAPACITY | One person a wheelchair or One person a wheelchair and one helper |
| MAX LOAD | 750 lb (340 Kg) |
| RAIL LINEAR WEIGHT | 5 lb/ft |
| TRACTION MACHINE | Acme screw and nut |
| ALIMENTATION | DC, 24 VOLT |
| VELOCITY | 9 ft/min (0.05 m/s) *option max speed: 14 ft/min (0.07 m/s) |
| MAX TRAVEL | 98 in (2500 mm) max. |
| EMERGENCY BRAKES | Bronze safety nut |
| CAB FINISH | See document C-02 |
| LIFT CAB | Max floor dimensions 40 x 66 in (1018 mm x 1679 mm) |
| FLOOR FINISH | Anti-skid floor surface |
| CONTROL BUTTONS | Weatherproof control buttons |
| CONTOLER | BECVISZ3 (CSA/LR45147) |
| DOOR INTERLOCK | HONEYWELL (REALIGN) or GAL (TYPE N) |



NOTE
-THIS ELECTRONIC DOCUMENT IS NOT SIGNED OR SEALED BY AN ENGINEER AND MAY NOT BE USED FOR CONSTRUCTION PURPOSES.
-THIS ELECTRONIC DOCUMENT IS STRICTLY FOR INFORMATION PURPOSES (OR COORDINATION, AS APPLICABLE).
-NO GUARANTEES ARE GIVEN ON THE INTEGRITY OF THE TRANSMITTED INFORMATION.
-NO GUARANTEES ARE GIVEN ABOUT PAST OR FUTURE CHANGES TO THIS DOCUMENT

Les Escalateurs Atlas Inc.
8255 Boul. Laframboise
St-Hyacinthe (Québec)
J2R 1E8, Canada
Tél: (450) 796-5708
Fax: (450) 796-5110

| GÉNÉRAUX INFORMATIONS | | |
|-----------------------|-----------------|---------------------------|
| TITLE | | |
| No. DRAWING | VISTA_AB | DATE: 26/01/2016 |
| CODE: | B355 | DRAFTER: M.Debusschere |
| | | REVISION No SHEET: 1/1 |