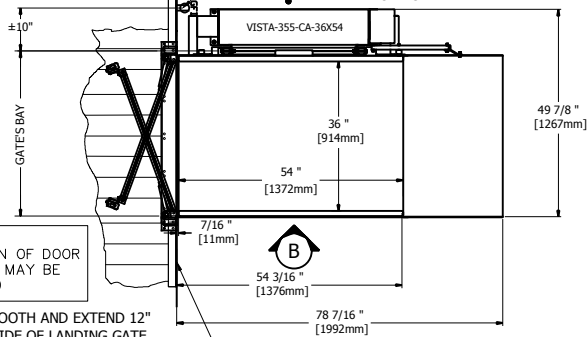


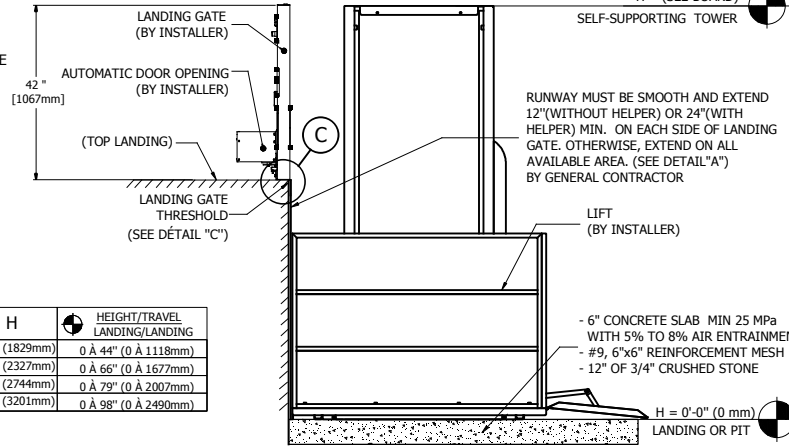
UPPER LANDING SIDE RAILINGS, WITHOUT OPENINGS, TO BE INSTALLED AFTER THE LIFTING PLATFORM IS IN PLACE. THEY MUST BE ABLE TO HOLD THE LANDING GATE ASSEMBLY. (BY GENERAL CONTRACTOR)

1. PROVIDE ONE GFI 120VAC 15A OUTLET CLOSE TO THE BACK OF TOWER ONLY IF A MIN 24" ACCESS WAY IS AVAILABLE, OTHERWISE COORDINATE WITH LIFT INSTALLER
2. PROVIDE ALSO ONE WIRE AT THE SAME PLACE 120VAC, 15A. BY ELECTRICIEN



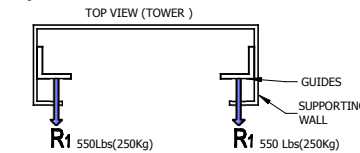
1 VISTA-355-AC 36x54 (WITHOUT HELPER)

| H | HEIGHT/TRAVEL LANDING/LANDING |
|---------------|-------------------------------|
| 72" (1829mm) | 0 Å 44" (0 Å 1118mm) |
| 92" (2327mm) | 0 Å 66" (0 Å 1677mm) |
| 108" (2744mm) | 0 Å 79" (0 Å 2007mm) |
| 126" (3201mm) | 0 Å 98" (0 Å 2490mm) |

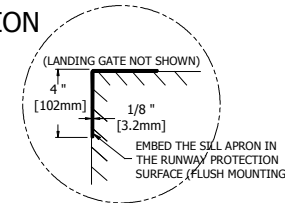


3 DETAIL B FLOOR ELEVATION

- NOTE
1. PROVIDE 100 lx MIN. LIGHTING TO THE WHOLE PLATFORM (BY ELECTRICIAN).
 2. ANY WALL LOCATED LESS THAN 12" (WITHOUT HELPER) OR 24" (WITH HELPER) AWAY FROM THE CAB MUST EXCEED THE UPPER LANDING HEIGHT BY AT LEAST 42". IT MUST BE SMOOTH (NO RECESSES OR PROTRUSIONS).

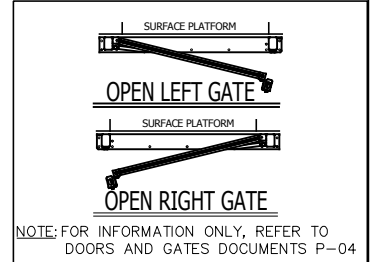


5 RAIL REACTIONS

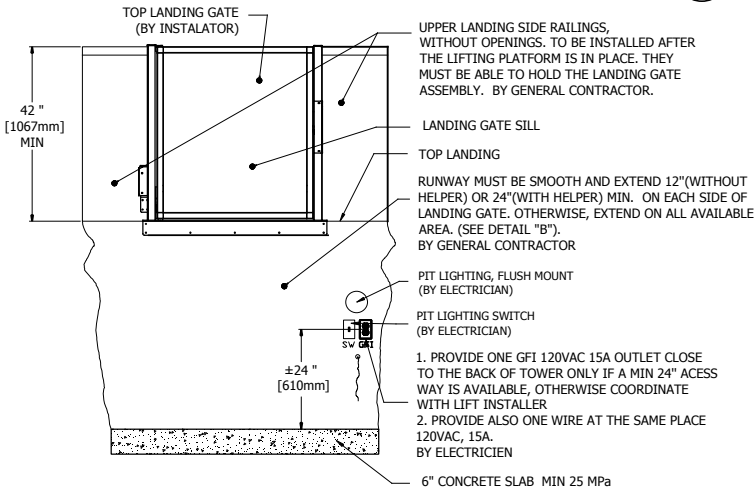


4 DETAIL C

| VISTA_355 TECHNICAL DATA | |
|--------------------------|---|
| TYPE | Outdoor use, vertical lift, open shaft |
| CODE | CSA/B355-09 |
| MAX CAPACITY | One person a wheelchair or One person a wheelchair and one helper |
| MAX LOAD | 750 lb (340 Kg) |
| RAIL LINEAR WEIGHT | 5 lb/ft |
| TRACTION MACHINE | Acme screw and nut |
| ALIMENTATION | DC, 24 VOLT |
| VELOCITY | 9 ft/min (0.05 m/s) *option max speed: 14 ft/min (0.07 m/s) |
| MAX TRAVEL | 98 in (2500 mm) max. |
| EMERGENCY BRAKES | Bronze safety nut |
| CAB FINISH | See document C-02 |
| LIFT CAB | Max floor dimensions 40 x 66 in (1018 mm x 1679 mm) |
| FLOOR FINISH | Anti-skid floor surface |
| CONTROL BUTTONS | Weatherproof control buttons |
| CONTOLER | BECVISZ3 (CSA/LR45147) |
| DOOR INTERLOCK | HONEYWELL (REALIGN) or GALT (TYPE N) |

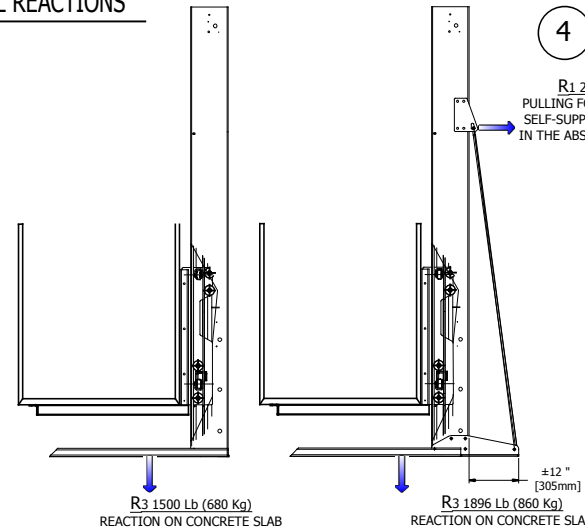


NOTE
 - THIS ELECTRONIC DOCUMENT IS NOT SIGNED OR SEALED BY AN ENGINEER AND MAY NOT BE USED FOR CONSTRUCTION PURPOSES.
 - THIS ELECTRONIC DOCUMENT IS STRICTLY FOR INFORMATION PURPOSES (OR COORDINATION, AS APPLICABLE).
 - NO GUARANTEES ARE GIVEN ON THE INTEGRITY OF THE TRANSMITTED INFORMATION.
 - NO GUARANTEES ARE GIVEN ABOUT PAST OR FUTURE CHANGES TO THIS DOCUMENT



2 DETAIL A SIDE VIEW

NOTE
 LIFT NOT SHOWN FOR CLARITY PURPOSE OF THE DRAWING.



5 VISTA 750 Lb REACTIONS

6 VISTA 1000 Lb REACTIONS

Les Escalateurs Atlas Inc.
 8255 Boul. Laframboise
 St-Hyacinthe (Québec)
 J2R 1E8, Canada
 Tél: (450) 796-5708
 Fax: (450) 796-5110

atlas

TITLE: **GÉNÉRAUX INFORMATIONS**

| | | |
|------------------------------|-------------------------|---------------|
| No. DRAWING: VISTA_AC | DATE: 26/01/2016 | REVISION |
| CODE: B355 | DRAFTER: M. Debusschere | No SHEET: 1/1 |