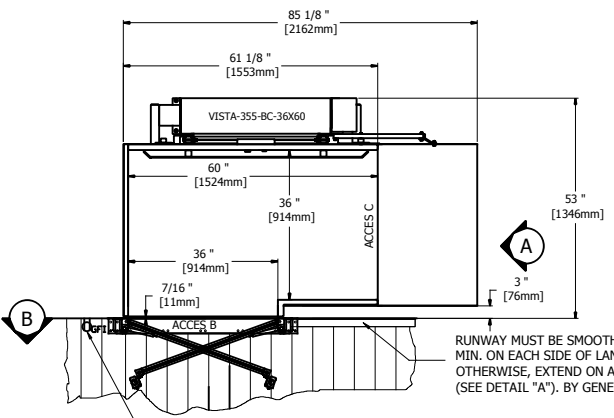


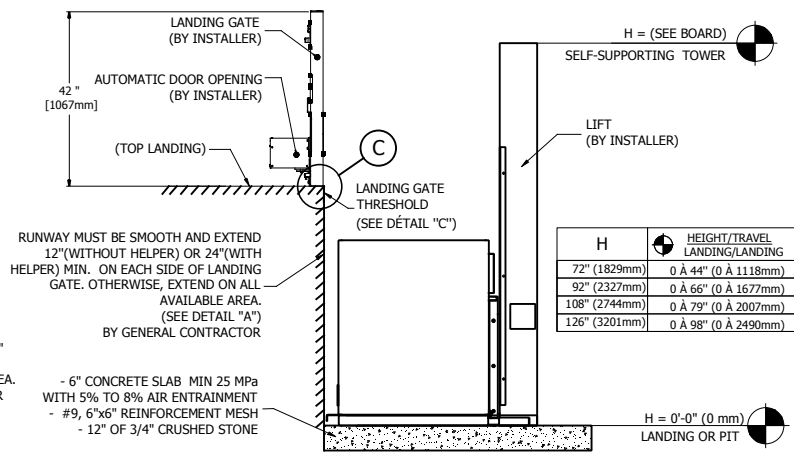
VISTA_355 TECHNICAL DATA	
TYPE	Outdoor use, vertical lift, open shaft
CODE	CSA/B355-09
MAX CAPACITY	One person a wheelchair or One person a wheelchair and one helper
MAX LOAD	750 lb (340 Kg)
RAIL LINEAR WEIGHT	5 lb/ft
TRACTION MACHINE	Acme screw and nut
ALIMENTATION	DC, 24 VOLT
VELOCITY	9 ft/min (0.05 m/s) *option max speed: 14 ft/min (0.07 m/s)
MAX TRAVEL	98 in (2500 mm) max.
EMERGENCY BRAKES	Bronze safety nut
CAB FINISH	See document C-02
LIFT CAB	Max floor dimensions 40 x 66 in (1018 mm x 1679 mm)
FLOOR FINISH	Anti-skid floor surface
CONTROL BUTTONS	Weatherproof control buttons
CONTOLER	BECVISZ3 (CSA/LR45147)
DOOR INTERLOCK	HONEYWELL (REALIGN) or GAL (TYPE N)



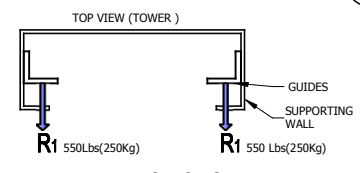
NOTE
DIRECTION OF DOOR
OPENING MAY BE
CHANGED

1. PROVIDE ONE GFI 120VAC 15A OUTLET CLOSE TO THE BACK OF TOWER
ONLY IF A MIN 24" ACCESS WAY IS AVAILABLE, OTHERWISE COORDINATE
WITH LIFT INSTALLER
2. PROVIDE ALSO ONE WIRE AT THE SAME PLACE 120VAC, 15A.
BY ELECTRICIAN

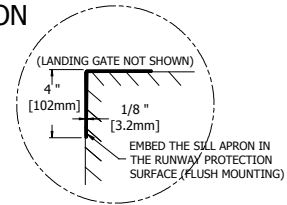
**1 VISTA-355-BC
36x60 (WITHOUT HELPER)**



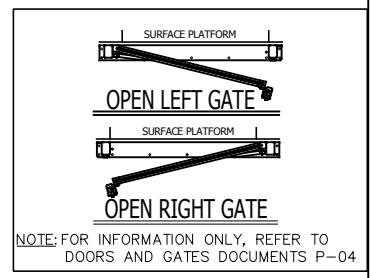
**3 DETAIL A
FLOOR ELEVATION**



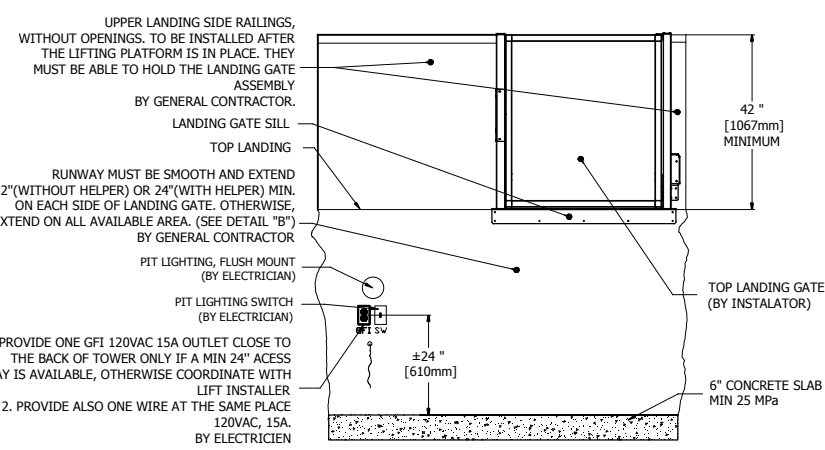
5 RAIL REACTIONS



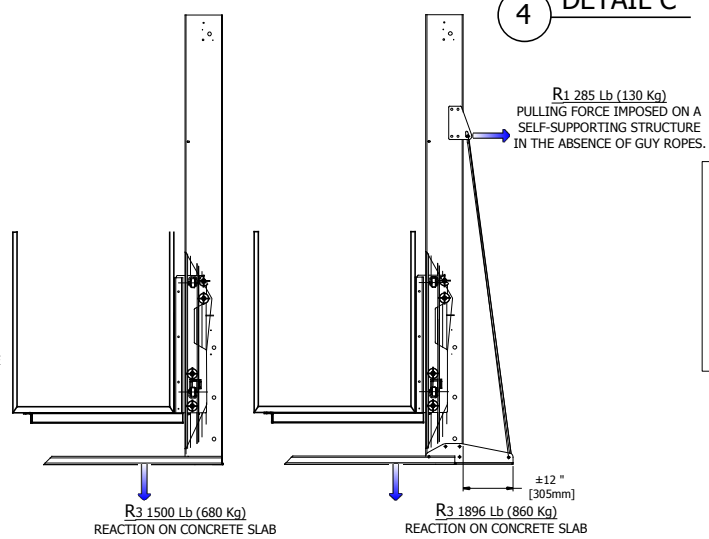
4 DETAIL C



NOTE
1. PROVIDE 100 lx MIN. LIGHTING TO THE WHOLE
PLATFORM (BY ELECTRICIAN).
2. ANY WALL LOCATED LESS THAN 12" (WITHOUT
HELPER) OR 24"(WITH HELPER) AWAY FROM THE
CAB MUST EXCEED THE UPPER LANDING HEIGHT
BY AT LEAST 42". IT MUST BE SMOOTH (NO
RECESSES OR PROTRUSIONS).



**2 DETAIL B
SIDE VIEW**



**5 VISTA 750 Lb
REACTIONS**

**6 VISTA 1000 Lb
REACTIONS**

NOTE
-THIS ELECTRONIC DOCUMENT IS NOT SIGNED OR SEALED BY
AN ENGINEER AND MAY NOT BE USED FOR CONSTRUCTION
PURPOSES.
-THIS ELECTRONIC DOCUMENT IS STRICTLY FOR
INFORMATION PURPOSES (OR COORDINATION, AS
APPLICABLE).
-NO GUARANTEES ARE GIVEN ON THE INTEGRITY OF THE
TRANSMITTED INFORMATION.
-NO GUARANTEES ARE GIVEN ABOUT PAST OR FUTURE
CHANGES TO THIS DOCUMENT

NOTE
LIFT NOT SHOWN FOR CLARITY
PURPOSE OF THE DRAWING.

Les Escalateurs Atlas Inc.
8255 Boul. Laframboise
St-Hyacinthe (Québec)
J2R 1E8, Canada
Tél: (450) 796-5708
Fax: (450) 796-5110

GÉNÉRALES INFORMATIONS		
No. DRAWING	DATE	REVISION
VISTA_BC	26/01/2016	
CODE:	DRAFTER:	No SHEET:
B355	M. Debuschere	1/1